

# E-SERIES E110D-i



## E-GUN MODULATOR WITH A PEAK POWER UP TO 30 KW AND OPERATIONAL VOLTAGE LEVEL UP TO 30 KV

This solid-state pulse modulator is designed to operate all kinds of Diode E-guns with a peak power up to 30 kW and voltage level up to 30 kV. It can also operate Triode E-guns without grid emission control. To facilitate system integration, the modulator has a split design, divided into a Tank unit and a Pulse unit. E110D-i is equipped with ScandiNova's high end remote control system featuring a wide range of shape modifications for every pulse as well as unique automatic pulse shape tuning. E100D-i is available with single or dual energy.

SYSTEM SPECIFICATIONS	UNIT	DATA	NOTES
Peak Power to E-gun	kW	0–30	Dual energy option available
Average Power to E-gun	W	0–40	Dual energy option available
Operational Voltage Range	kV	0–30	Higher Voltage on request
Operational Current Range	A	0–1	Higher Current on request
Pulse Repetition Frequency Range	Hz	0–400	According to external trig generator Single shot operation possible Higher frequency option available
Pulse Length (top)	µs	0,5–4	Longer Pulse Length on request
Cooling	–	Air	

INTERFACE	DEFAULT	OPTION
Mains Power, Single Phase	95–255 VAC, 50/60 Hz	–
Control Interface	ModBus TCP	–
Trig Input	Electrical	Optical option available
Diagnostics	Pulse Voltage and Current	–

#### Standard Modulator Includes

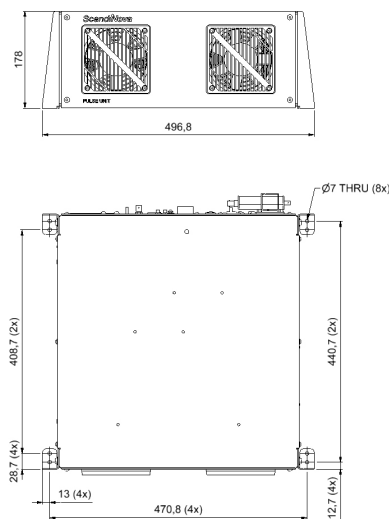
Control System  
Remote Control  
Filament PS  
Pulse Sensors  
Internal Trig Generator  
Digitizer  
Over Temperature Protection  
Cable kit between PU and TU  
standard length 2m (option up to 10m)  
HV Cable. 0,5m

#### Size and Weight

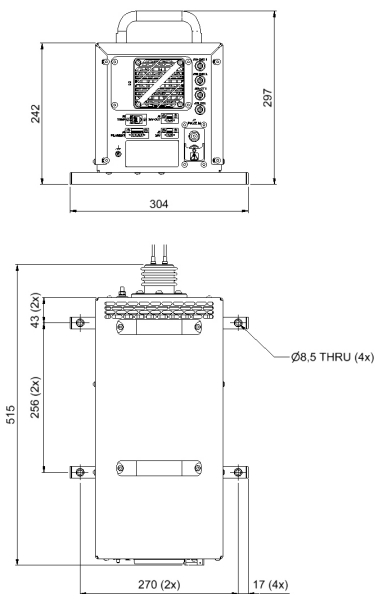
Weight approx.  
Pulse Unit 16 kg  
Tank Unit 29 kg (incl. oil)

*Information contained in this document  
is subject to change without notice.*

#### Pulse Unit



#### Tank Unit



#### HEADQUARTERS

ScandiNova Systems AB  
Typsnittsgatan 15  
SE-754 54 Uppsala, Sweden

#### CONTACT

Tel: +46 (0)18 480 59 00  
E-mail: info@scandinovasystems.com  
www.scandinovasystems.com