

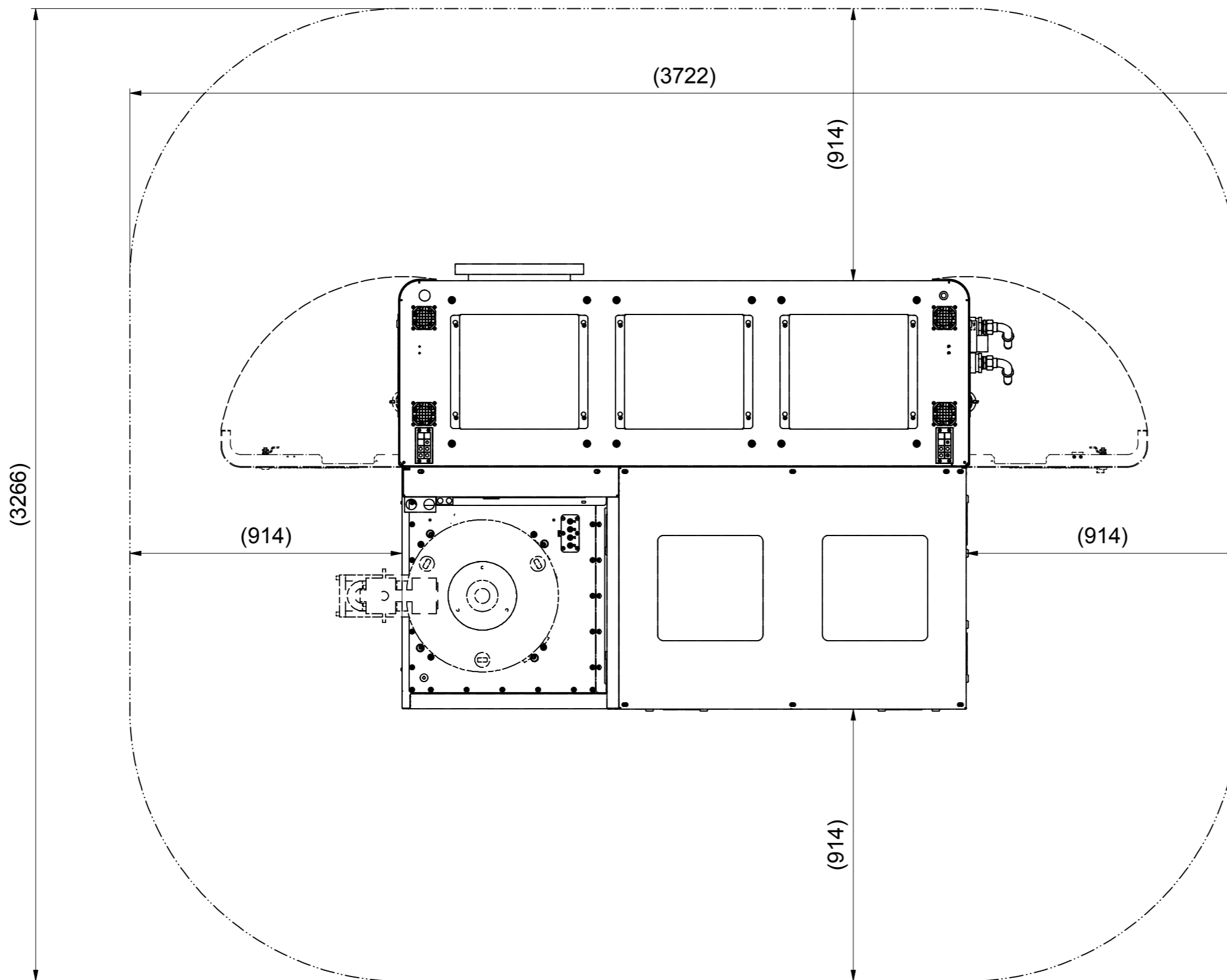
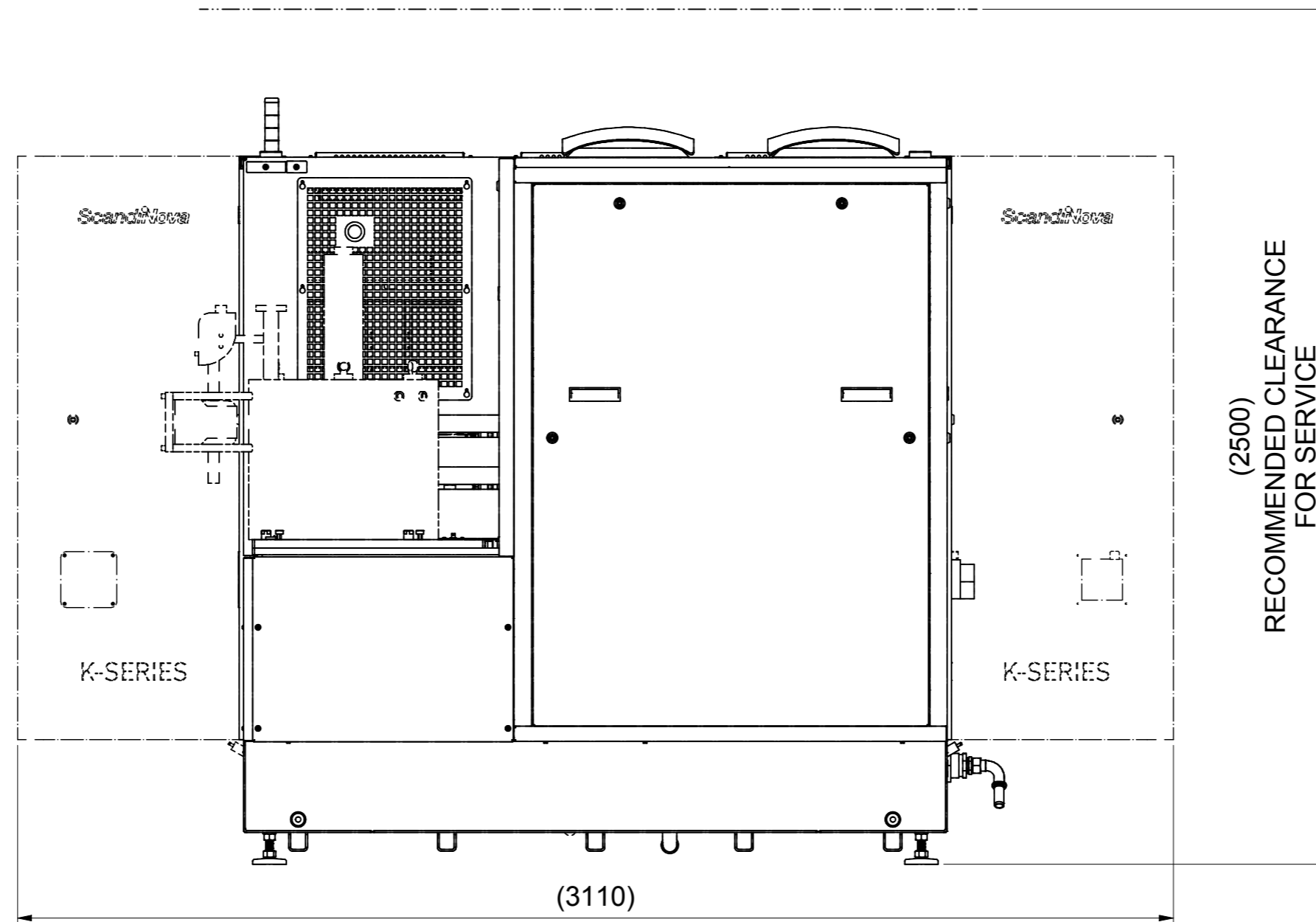
**PRODUCT DATA**  
TYPICAL OIL VOLUME: 600 L  
TYPICAL WEIGHT: 2000 KG (EXCL KLYSTRON, MAGNET, OIL)

	Drawn OR Approved RW 2019-08-15	Scale 1 : 15 Sheet 1 / 2	Date 2019-07-02 REVISION
	Name ScandiNova K300, Product drawing	Document Number DRW-025273 00	

3,2  
Other surfaces:  
Tolerance class in accordance with ISO 2768-m  
A2

Printed out: 15.08.2019 15:02:12

ACCESS & SERVICE AREA ( 1 : 15 )



NOTE!  
RECOMMENDED CLEARANCE  
FOR SERVICE

This document is our property and shall not without our permission in writing be altered, copied, used for manufacturing or communicated to any other person or company.	Drawn <b>OR</b> Approved <b>RW 2019-08-15</b>	Scale <b>1 : 15</b>	Date <b>2019-07-02</b>
	Name <b>ScandiNova K300, Product drawing</b>	Sheet <b>2 / 2</b>	Document Number <b>DRW-025273 00</b>

3.2  
Other surfaces:

Tolerance class in accordance with ISO 2768-m  
A2

Printed out: 15.08.2019 15:02:12