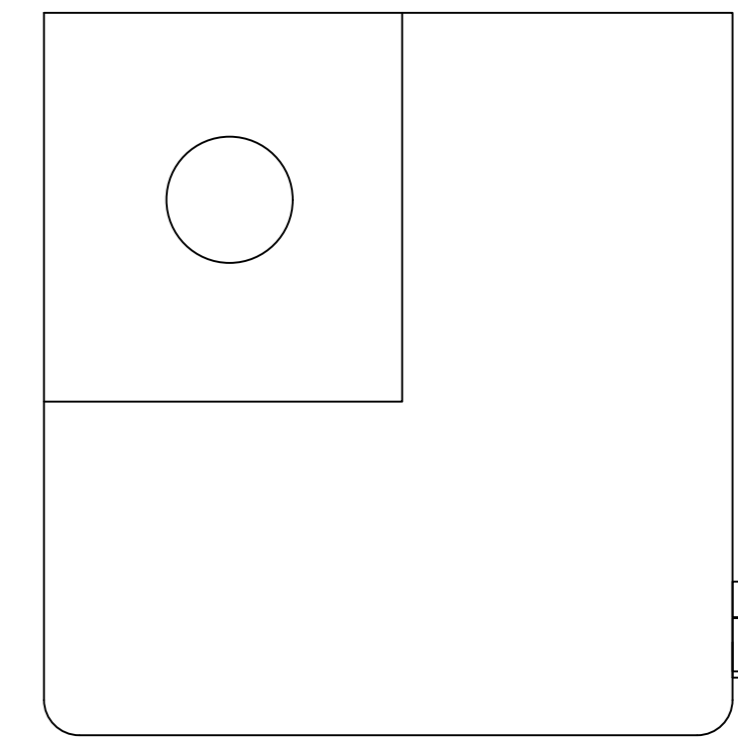
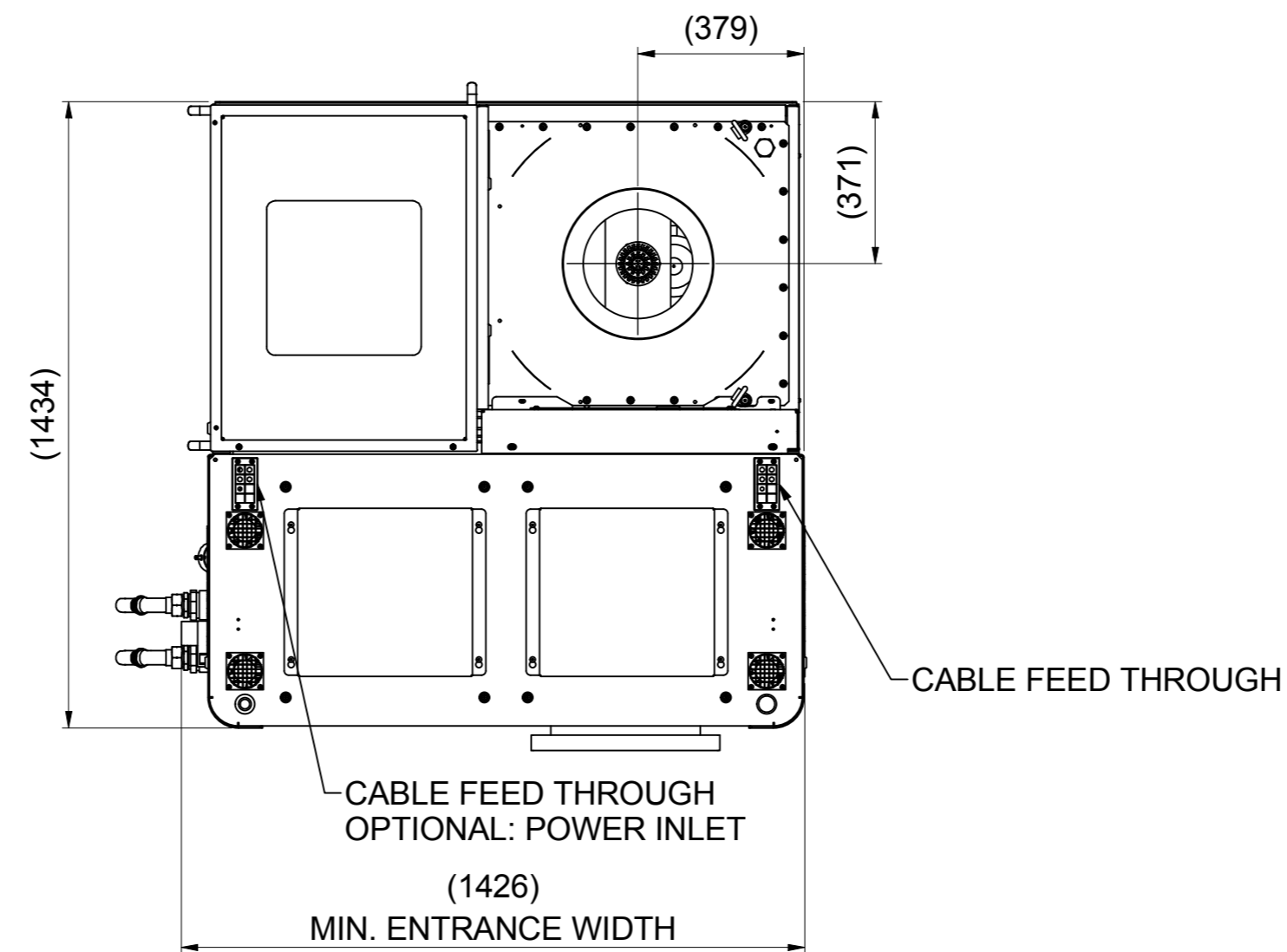
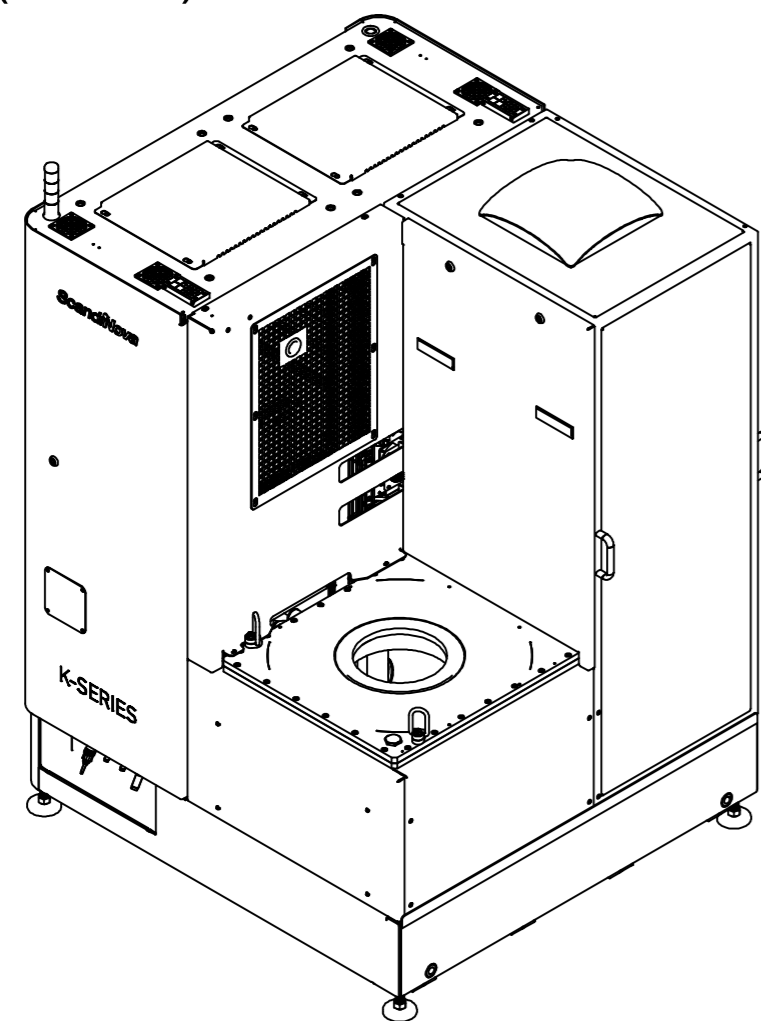


(1 : 20)



PRODUCT DATA	
TYPICAL OIL VOLUME:	380 L
TYPICAL WEIGHT:	1400 KG (EXCL KLYSTRON, MAGNET, OIL)

	This document is our property and shall not without our permission in writing be altered, copied, used for manufacturing or communicated to any other person or company.	Drawn <b>OR</b> Approved <b>RW</b> 2019-08-15	Scale <b>1 : 15</b>	Date <b>2019-06-28</b>
			Sheet <b>1 / 2</b>	REVISION
	Name <b>K200, Product drawing</b>	Document Number <b>DRW-025272 00</b>		

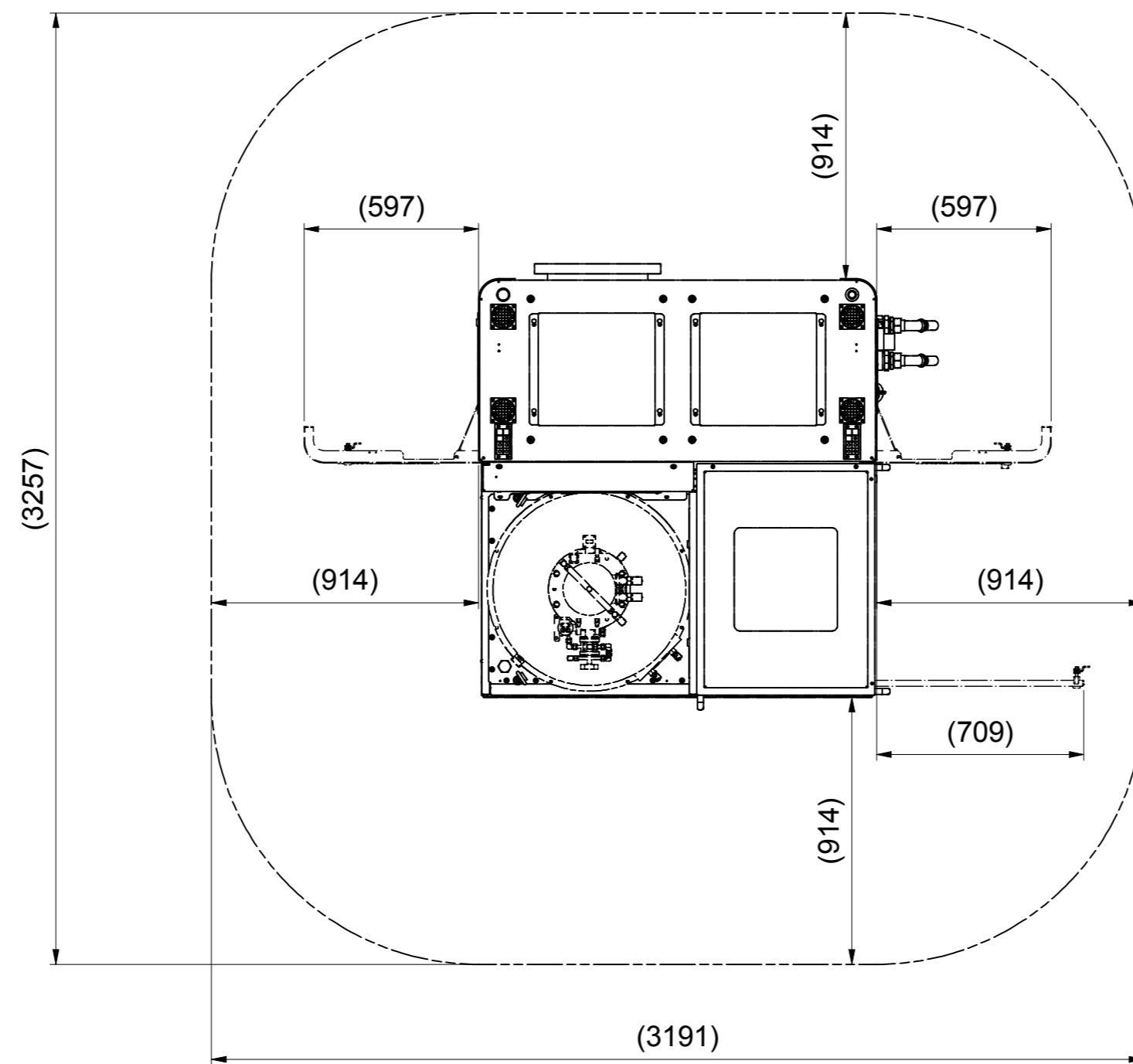
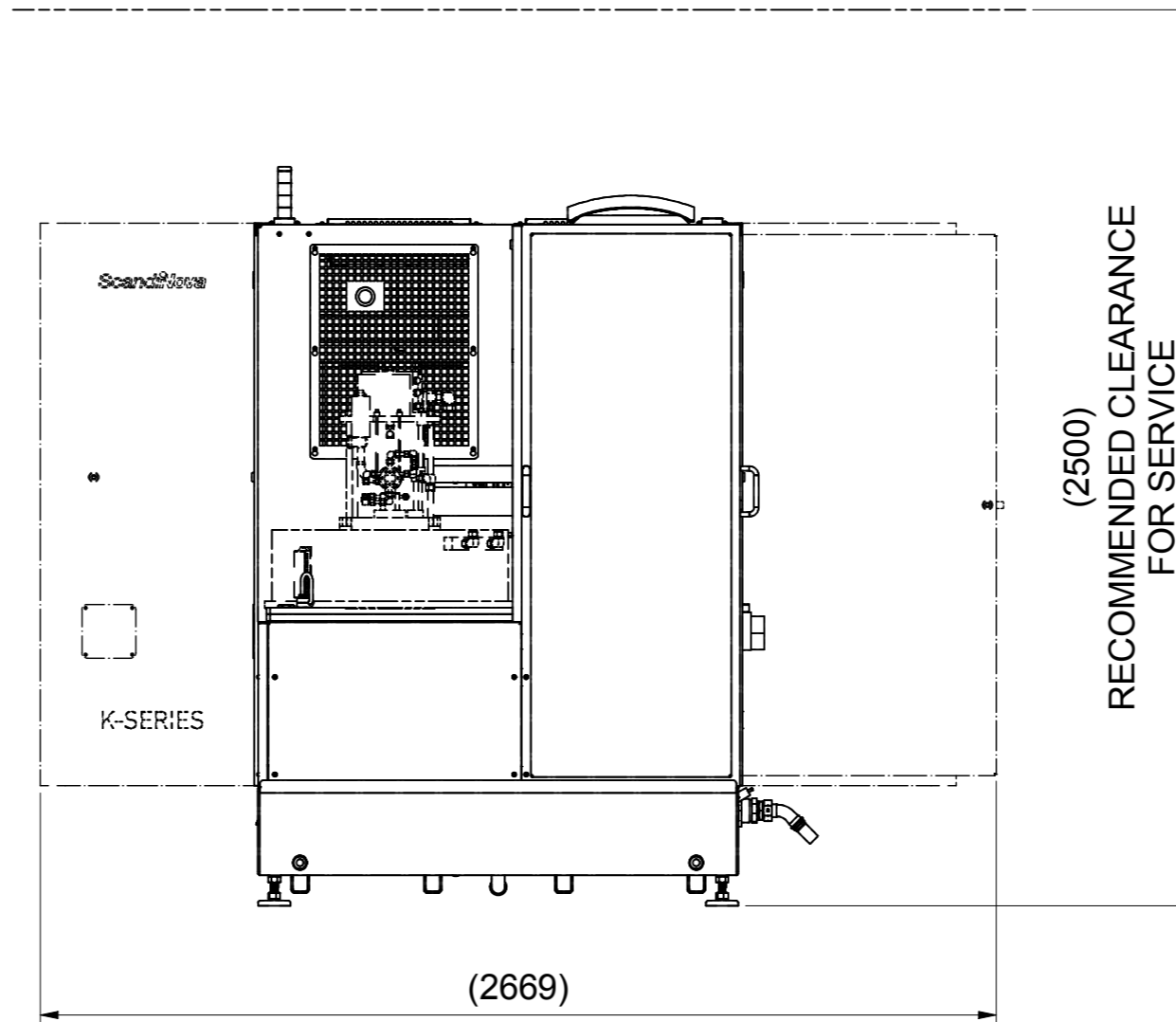
3,2  
Other surfaces:

Tolerance class in accordance with ISO 2768-m

A2

Printed out: 15.08.2019 15:01:43

# ACCESS & SERVICE AREA ( 1 : 20 )



NOTE!  
RECOMMENDED CLEARANCE  
FOR SERVICE

This document is our property and shall not without our permission in writing be altered, copied, used for manufacturing or communicated to any other person or company.	Drawn <b>OR</b> Approved <b>RW 2019-08-15</b>	Scale <b>1 : 15</b>	Date <b>2019-06-28</b>
	Name <b>ScandiNova K200, Product drawing</b>		Sheet <b>2 / 2</b>
Document Number <b>DRW-025272 00</b>		REVISION	

3.2  
Other surfaces:

Tolerance class in accordance with ISO 2768-m  
A2

Printed out: 15.08.2019 15:01:43