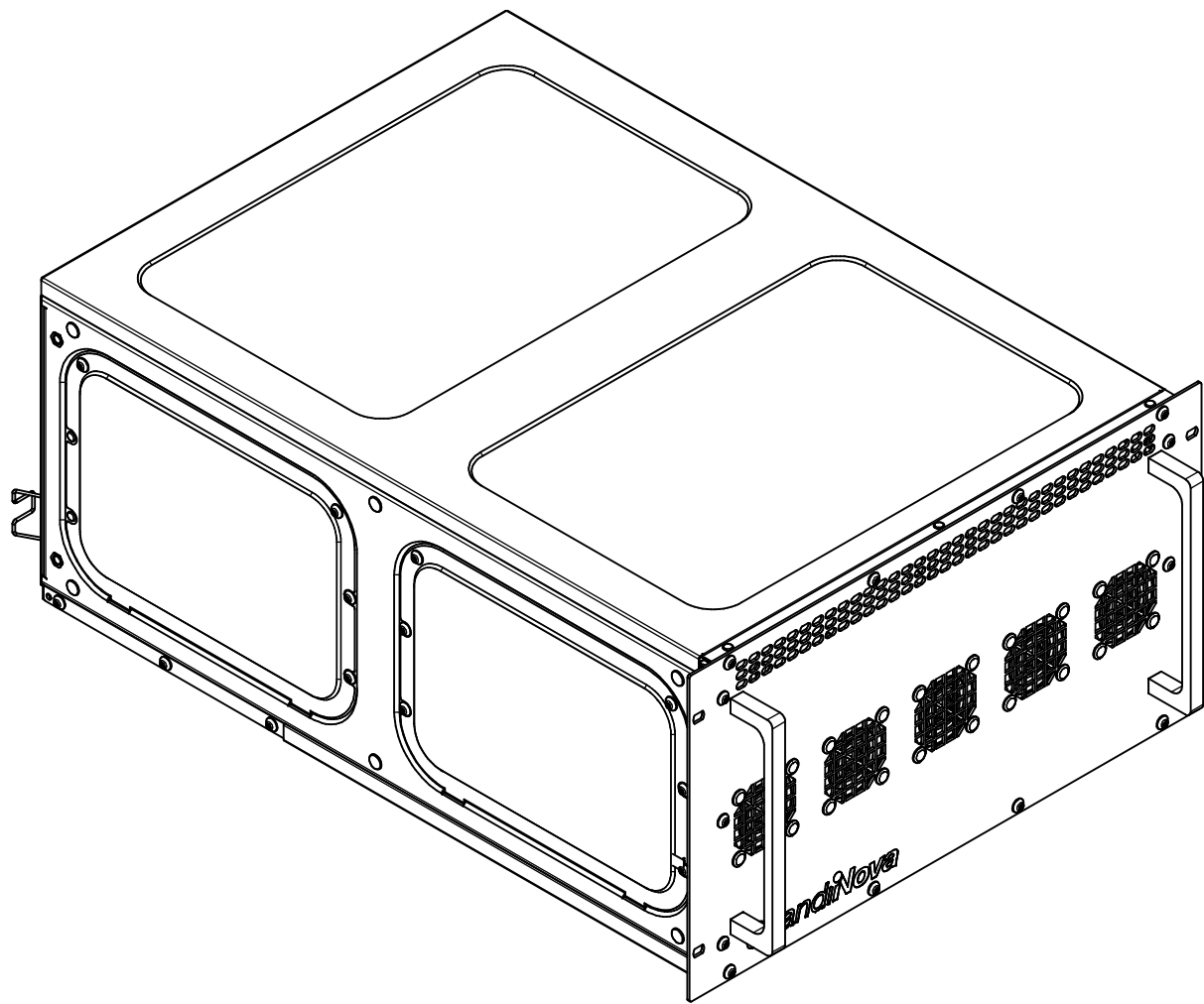
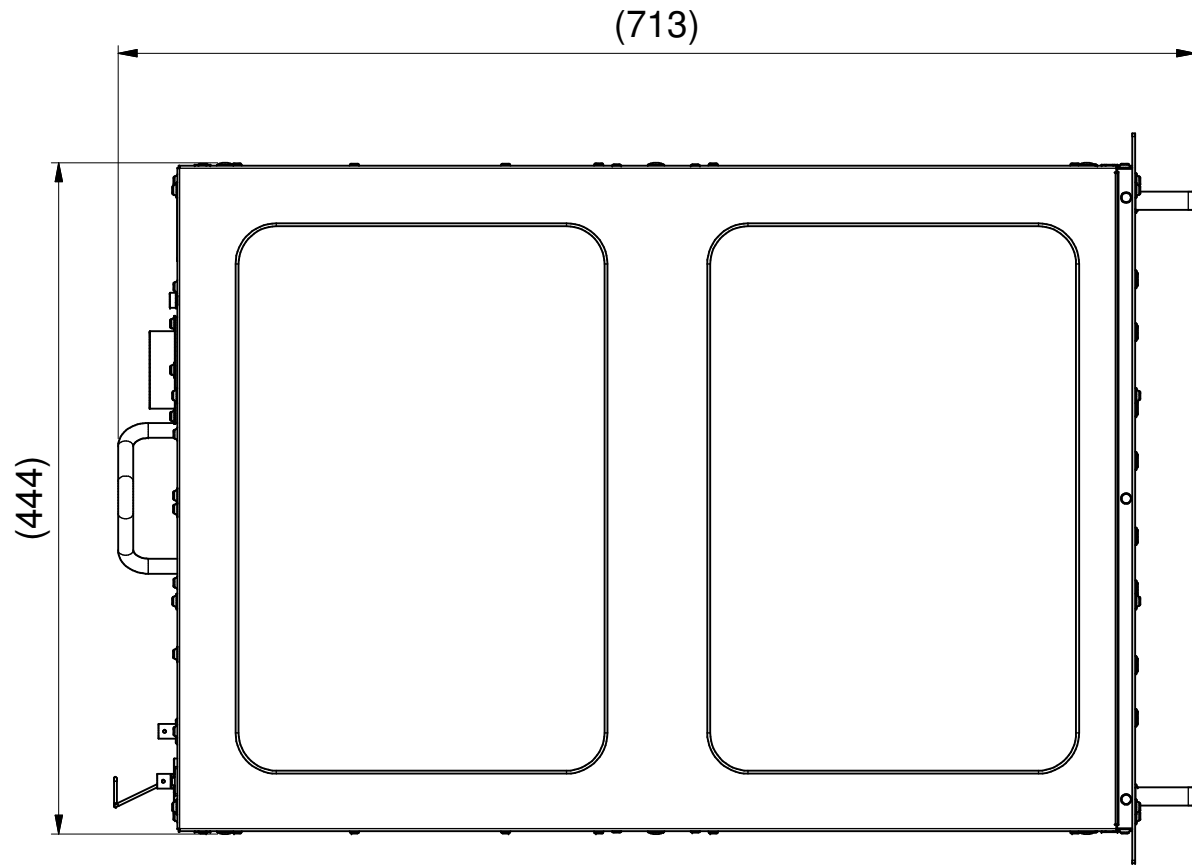
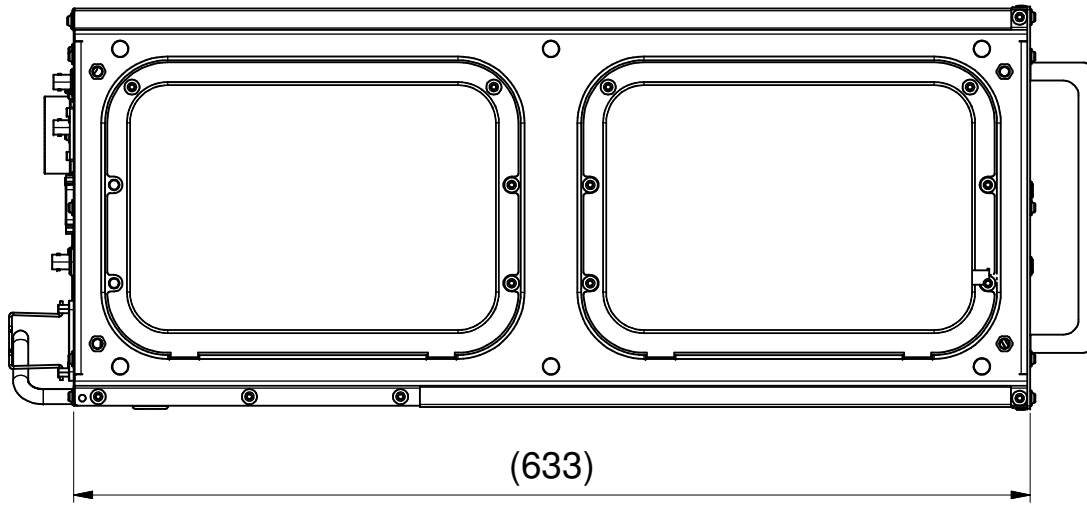
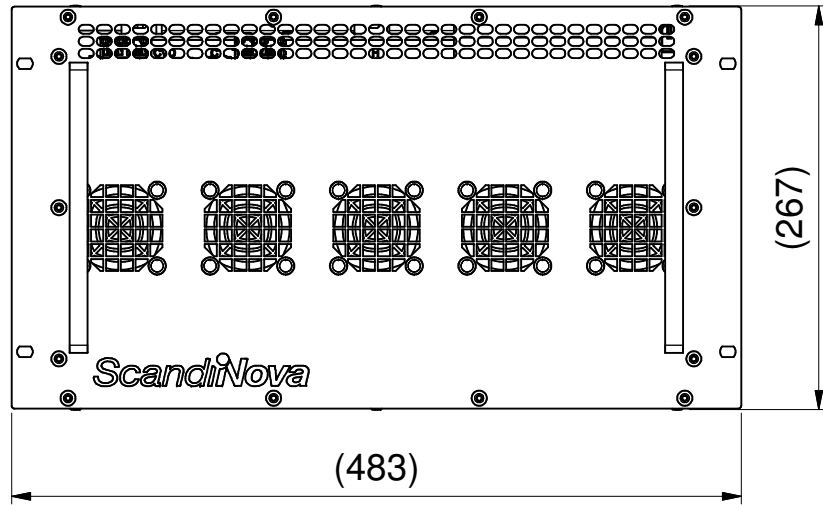


No	Revision	Date	Sign.
----	----------	------	-------

3,2  
Other surfaces:

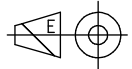


WEIGHT IS SUBJECT TO CONFIGURATION  
MAX: 59KG  
MIN: 49KG

Tolerance class in accordance with ISO 2768-m

<p>This document is our property and shall not without our permission in writing be altered, copied, used for manufacturing or communicated to any other person or company.</p>	Drawn <b>EV</b>	Scale <b>1 : 5</b>	Date <b>2015-12-14</b>
	Approved	Sheet <b>1 / 5</b>	<b>REVISION</b>
Name <b>ScandiNova M050-i, main asm</b>		Document Number <b>DRW-019145 00</b>	

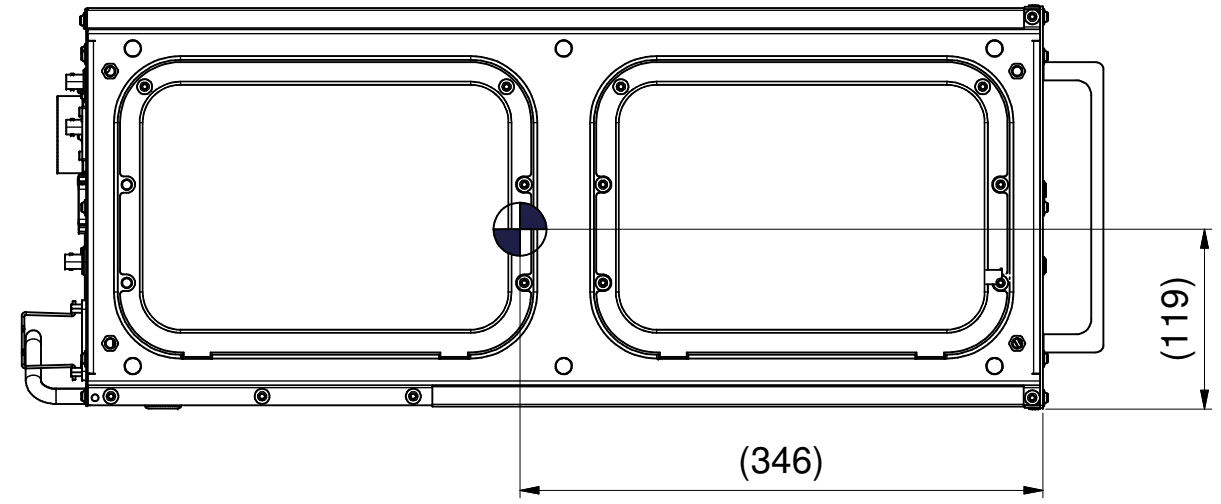
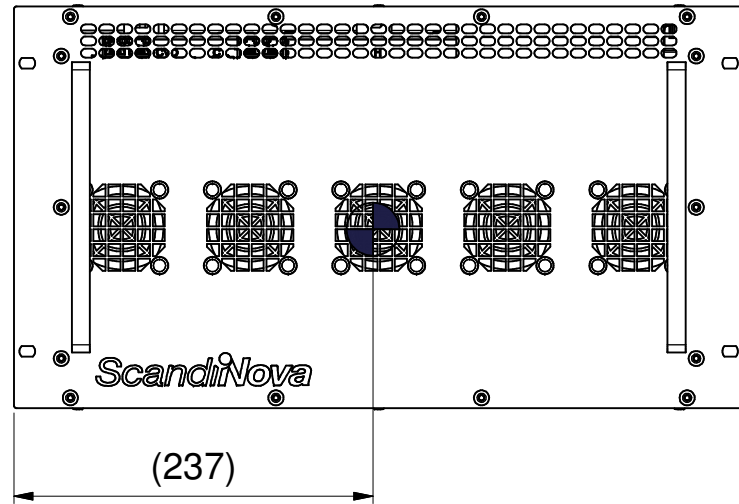
A3



3,2

Other surfaces:

**CENTRE OF GRAVITY - COG**  
 COG IS SUBJECT TO CONFIGURATION  
 COG BELOW IS VIABLE FOR FULL M0.5 CONFIGURATION

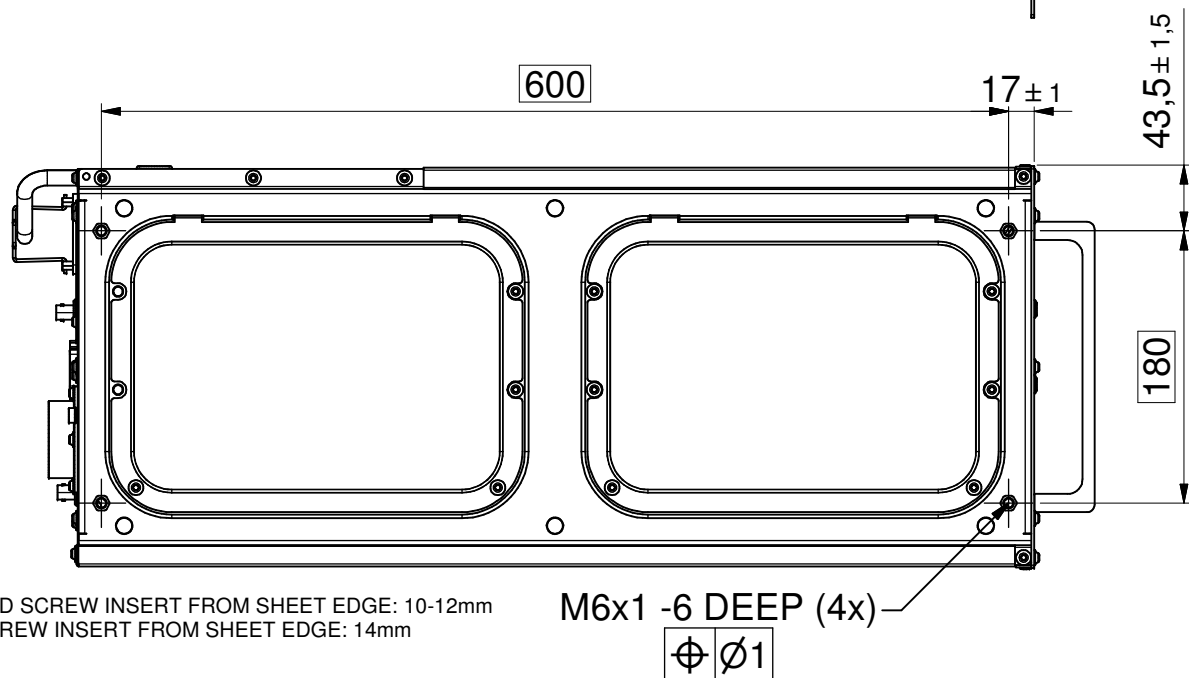
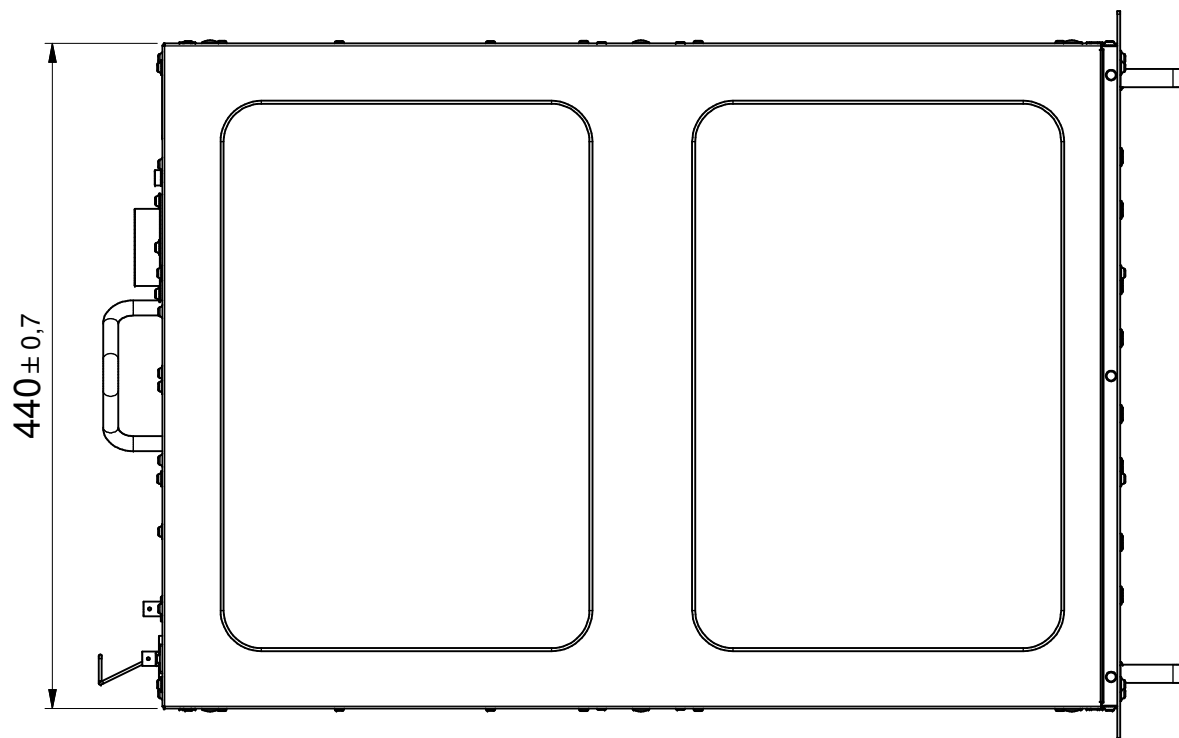
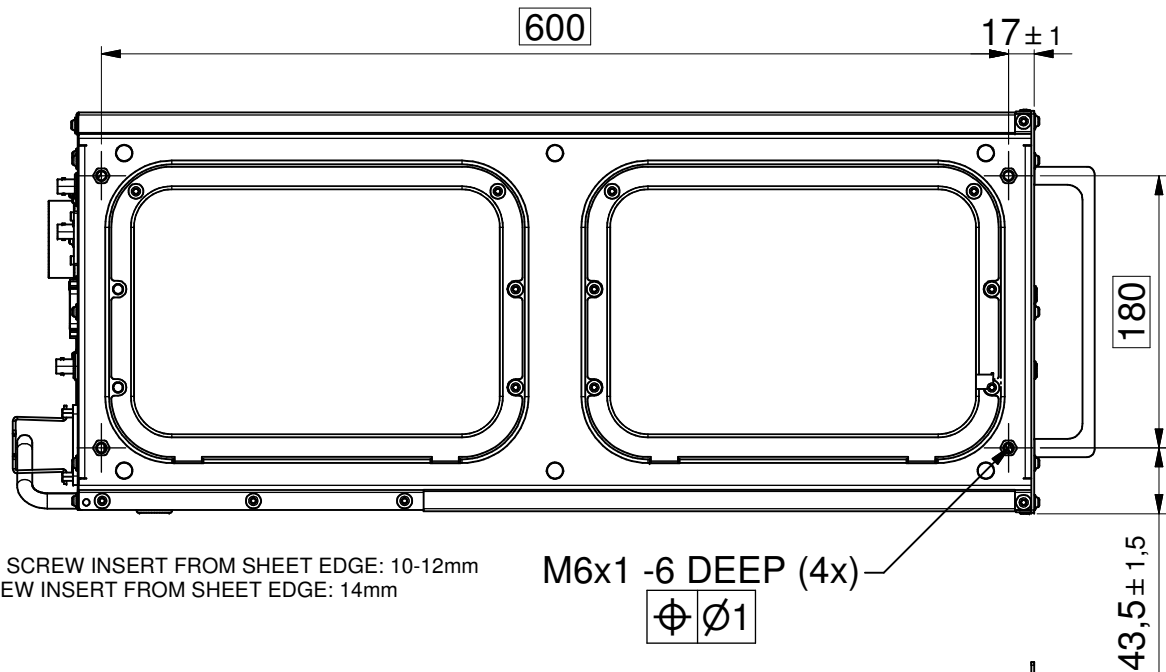


Tolerance class in accordance with ISO 2768-m

A3

This document is our property and shall not without our permission in writing be altered, copied, used for manufacturing or communicated to any other person or company.	Drawn <b>EV</b>	Scale <b>1 : 5</b>	Date <b>2015-12-14</b>
	Approved	Sheet <b>2 / 5</b>	<b>REVISION</b>
	Name <b>M050-i, main asm</b>	Document Number <b>DRW-019145 00</b>	

# MOUNTING AND HANDLING OF M0.5 MODULATOR



## MOUNTING - 19" RACK

PLACE THE M0.5 MODULATOR ON A 19" SHELF WITH SUFFICIENT LOAD BEARING CAPABILITIES.

## MOUNTING - STRUCTURE

THE M0.5 MODULATOR MAY BE MOUNTED IN A CUSTOMER DESIGNED STRUCTURE. THE CUSTOMER IS REQUIRED TO USE ALL OF THE EIGHT M6 RIVET NUTS IN THE MODULATOR FRAME TO SECURE THE MODULATOR.

## ROTATING STRUCTURE

THE M0.5 MODULATOR MAY BE MOUNTED IN A ROTATING STRUCTURE. THE MODULATOR MAY NOT BE EXPOSED TO MORE THAN 2g DURING CONTINUED USE. THE MODULATOR MAY NOT BE EXPOSED TO MORE THAN ALTERNATING ±1g DURING CONTINUED USE.

## HANDLING

LIFT MODULATOR BY USE OF THE FACTORY MOUNTED HANDLES OR BY INSERTING EYE BOLTS IN AT LEAST FOUR OF THE EIGHT M6 RIVET NUTS. THE MODULATOR MAY NOT BE LIFTED, TILTED OR MOVED IF THE FRONT COVER IS REMOVED.

3,2

Other surfaces:

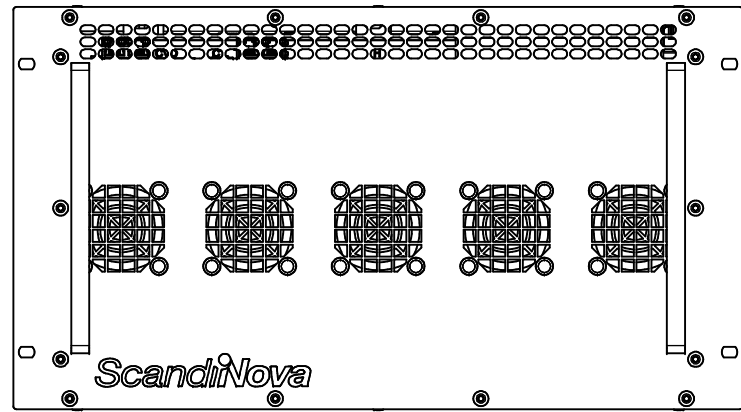
Tolerance class in accordance with ISO 2768-m

A3

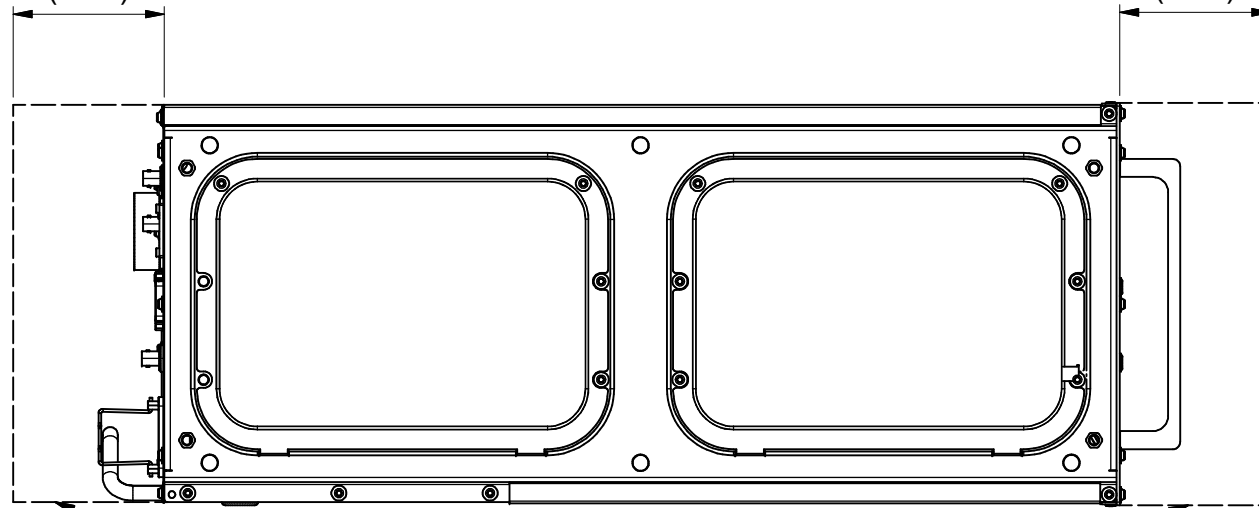
This document is our property and shall not without our permission in writing be altered, copied, used for manufacturing or communicated to any other person or company.	Drawn <b>EV</b> Approved	Scale <b>1 : 5</b>	Date <b>2015-12-14</b>
		Sheet <b>3 / 5</b>	REVISION
	Name <b>M050-i, main asm</b>	Document Number <b>DRW-019145 00</b>	

# FORCED AIR COOLING

**FRONT**  
AIR INTAKE

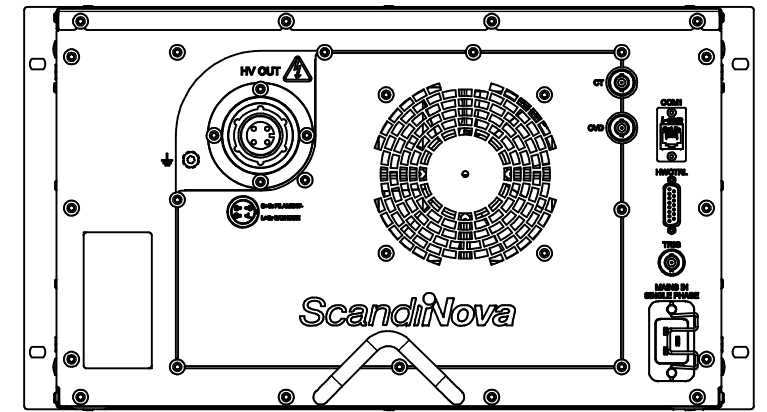


(100)



(100)

**REAR**  
AIR EXHAUST



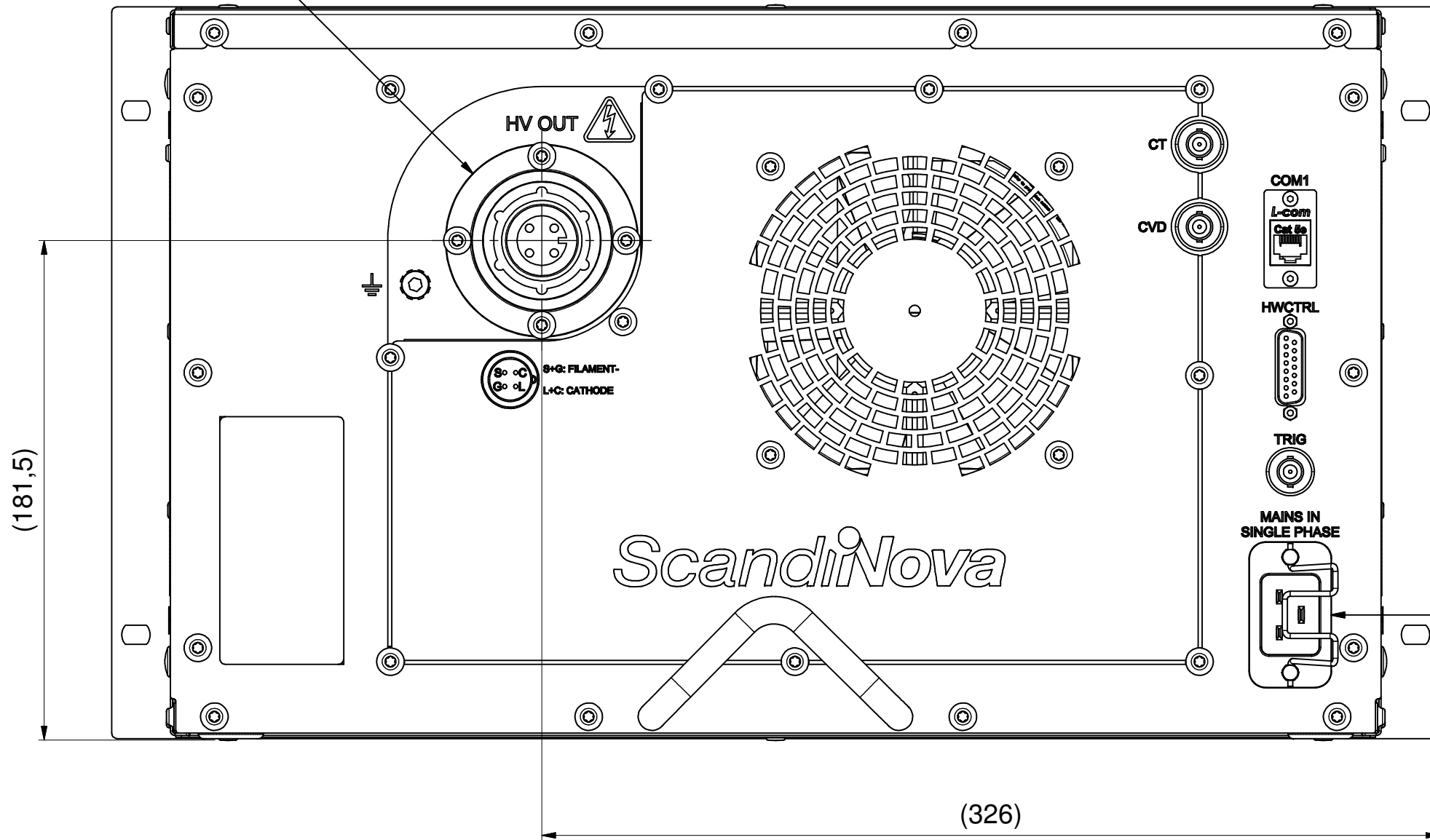
DO NOT OBSTRUCT AIR FLOW

AIR INTAKE AND EXHAUST MUST NOT BE OBSTRUCTED.  
 AIR FLOW IS APPROXIMATELY 150m<sup>3</sup>/h.  
 CONTINUED OPERATION OF MODULATOR WITH REAR COVER FACING DOWN  
 MAY RESULT IN TEMPERATURE INTERLOCK AND IS NOT RECOMMENDED.

<p>This document is our property and shall not without our permission in writing be altered, copied, used for manufacturing or communicated to any other person or company.</p>	Drawn <b>EV</b>	Scale <b>1 : 5</b>	Date <b>2015-12-14</b>
	Approved	Sheet <b>4 / 5</b>	<b>REVISION</b>
<b>ScandiNova</b>	Name <b>M050-i, main asm</b>	Document Number <b>DRW-019145 00</b>	

# CUSTOMER INTERFACE

CLAYMOUNT  
CA11 CONNECTOR



POWER IN  
SINGLE PHASE C20 CONNECTOR  
WITH RETAINER CLIP

Tolerance class in accordance with ISO 2768-m

A3

This document is our property and shall not without our permission in writing be altered, copied, used for manufacturing or communicated to any other person or company.	Drawn <b>EV</b>	Scale <b>1 : 5</b>	Date <b>2015-12-14</b>
	Approved	Sheet <b>5 / 5</b>	<b>REVISION</b>
	Name <b>M050-i, main asm</b>	Document Number <b>DRW-019145 00</b>	