

PG-SERIES PG200



AVERAGE POWER UP TO 80 KW AND PEAK POWER UP TO 36 MW

PG200 is designed to provide electrical pulses up to 36 MW with unparalleled performance. It's easy to integrate and equipped with ScandiNova's modern and user friendly control system – ScandiCat. The products within the PG-SERIES have a very resistant casing to withstand demanding industrial applications, which make them a perfect choice for e.g. Pulsed Electric Field generation in food processing and are perfectly suited for research needs where mid-range pulse generators are needed.

SYSTEM SPECIFICATIONS	UNIT	DATA	NOTES
Modulator Peak Power	MW	0–36	Maximum
Modulator Average Power	kW	0–80	Typical range
Pulse Voltage	kV	0–50	Typical range
Pulse Current	A	0–1200	Typical range
Pulse Repetition Frequency Range	Hz	0–500	Typical range. Depending on max average power (see options).
Pulse Length, Top	µs	1–10	Typical range. Depending on max average power (see options).
Cooling		Water	

INTERFACE	DEFAULT	OPTION
Mains Power, 3 Phase	400 VAC, 50/60 Hz	208/380/480 VAC
Mains Power, Single Phase	230 VAC, 50/60 Hz	115 VAC
Control Interface	ModBus TCP	
Water Cooling Interface In/Out	ISO8434-1, 24° cone connectors. Ø ½" Hose	
Diagnostics	Pulse Voltage and Current	

Standard Modulator Includes

Control System (ScandiCat)
Remote Control
Hard wired Interlock System
Internal Trig Generator

Additional System Components

Local Control Panel

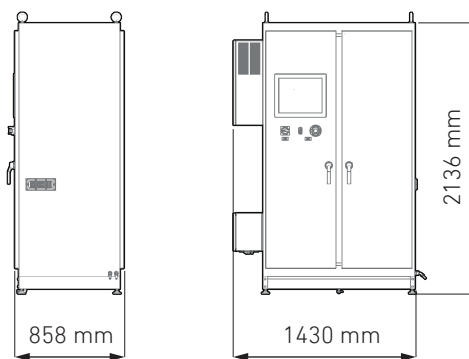
Options

Pulse Diagnostic
Pulse Sensors
Enhanced PRF Range, up to 1000 Hz
Extended Pulse Length, Top

Size and Weight

Weight approx. 1000 kg (excl. oil)

*Information contained in this document
is subject to change without notice.*



HEADQUARTERS

ScandiNova Systems AB
Ultunaallén 2A
SE-756 51 Uppsala, Sweden

CONTACT

Tel: +46 (0)18 480 59 00
E-mail: info@scandinovasystems.com
www.scandinovasystems.com